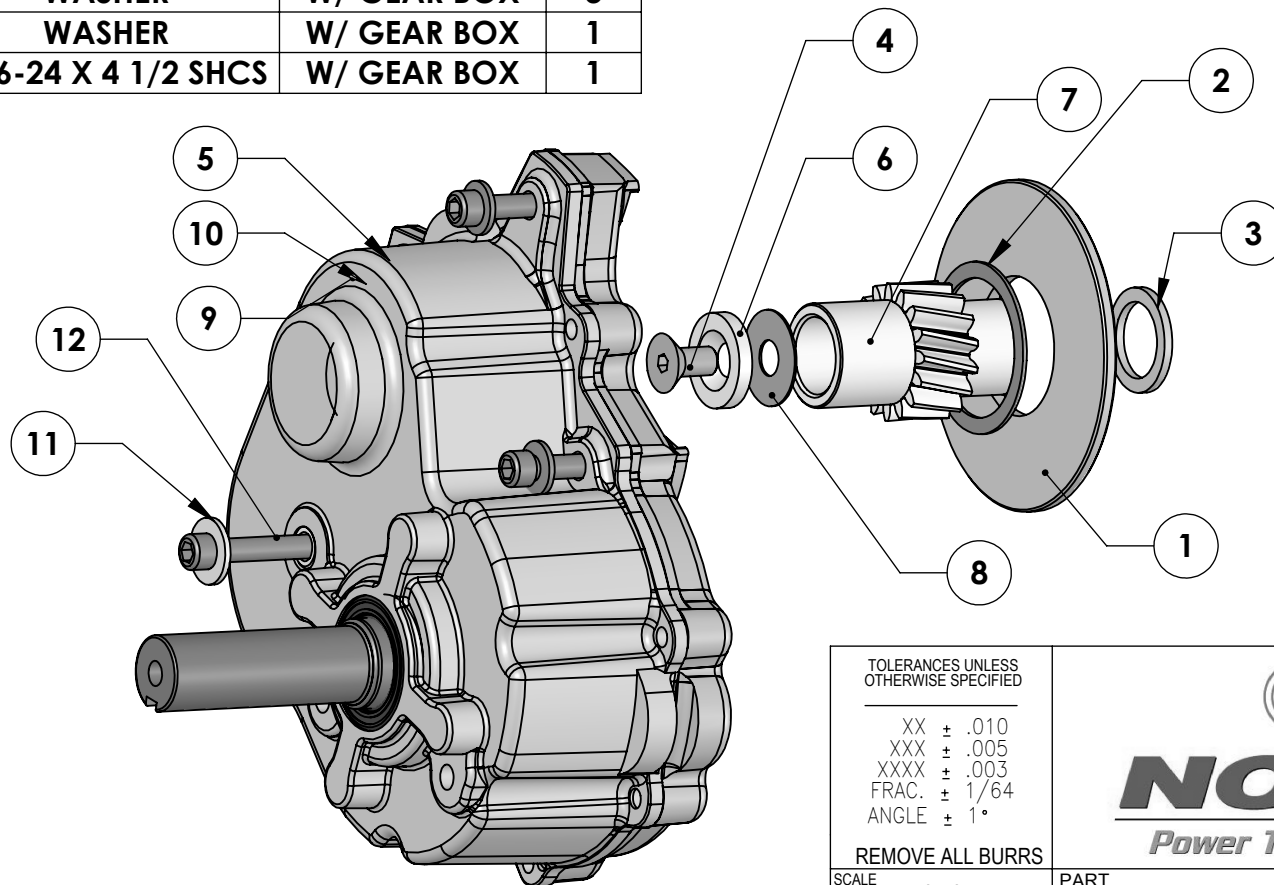


ITEM NO.	PART NUMBER	DESCRIPTION	KIT	QTY.
1	02800188	ADAPTOR PLATE	13500014	1
2	03300037	GASKET	13500014	1
3	02400159	CRANK SPACER	13500014	1
4	04000037	3/8-24 X 3/4 FH	13500014	1
5	62200	GEAR BOX	GEAR BOX	1
6	02400122	WASHER	W/ GEAR BOX	1
7	01400761	PINION	W/ GEAR BOX	1
8	03300035	GASKET	W/ GEAR BOX	1
9	04000022	5/16-24 X 2 1/4 SHCS	W/ GEAR BOX	3
10	02400155	WASHER	W/ GEAR BOX	3
11	02400142	WASHER	W/ GEAR BOX	1
12	04000023	5/16-24 X 4 1/2 SHCS	W/ GEAR BOX	1



TOLERANCES UNLESS OTHERWISE SPECIFIED

XX ± .010
 XXX ± .005
 XXXX ± .003
 FRAC. ± 1/64
 ANGLE ± 1°

REMOVE ALL BURRS

SCALE 1:1



PART

DRAWN DATE 9/26/11

DRW. BY DH

MATERIAL

RELEASE DATE XX/XX/XX

CHK'D BY XXX

SURFACE FINISH 125 UNLESS SPECIFIED

PROPERTY OF NORAM FOR CONFIDENTIAL USE ONLY.

PROJECT NUMBER

PART NO. 13500014

E	9/26/11	DRAWN
REV	DATE	DESCRIPTION