

Spare parts list

Handheld core drills

	Valid from serial number
LPD-T	254682
LPD-RV	254682
LPD-T	BGF000001
LPT-RV	BGF000001



General information

This spare parts list applies to the following:

Part number	Description
1801 4040 02	Hydraulic post driver LPD-T
1801 4050 02	Hydraulic post driver LPD-RV

Use only authorized parts. Any damage or malfunction caused by the use of unauthorized parts is not covered by Warranty or Product Liability. Any unauthorized use or copying of the contents or any part thereof is prohibited. This applies in particular to trademarks, model denominations, part numbers, and drawings.

Instructions for use

This spare parts list contains no safety regulations and is merely intended to assist in the ordering of spare parts.

For information about operating, servicing, or repairing, the relevant Safety and operating instructions must be consulted at all costs.

Please observe the safety instructions listed in the relevant Safety and operating instructions!

Contents

Spare parts list

LPD-T 1
LPD-RV 7
Remote valve 13

Tightening torque

Tightening torque 15

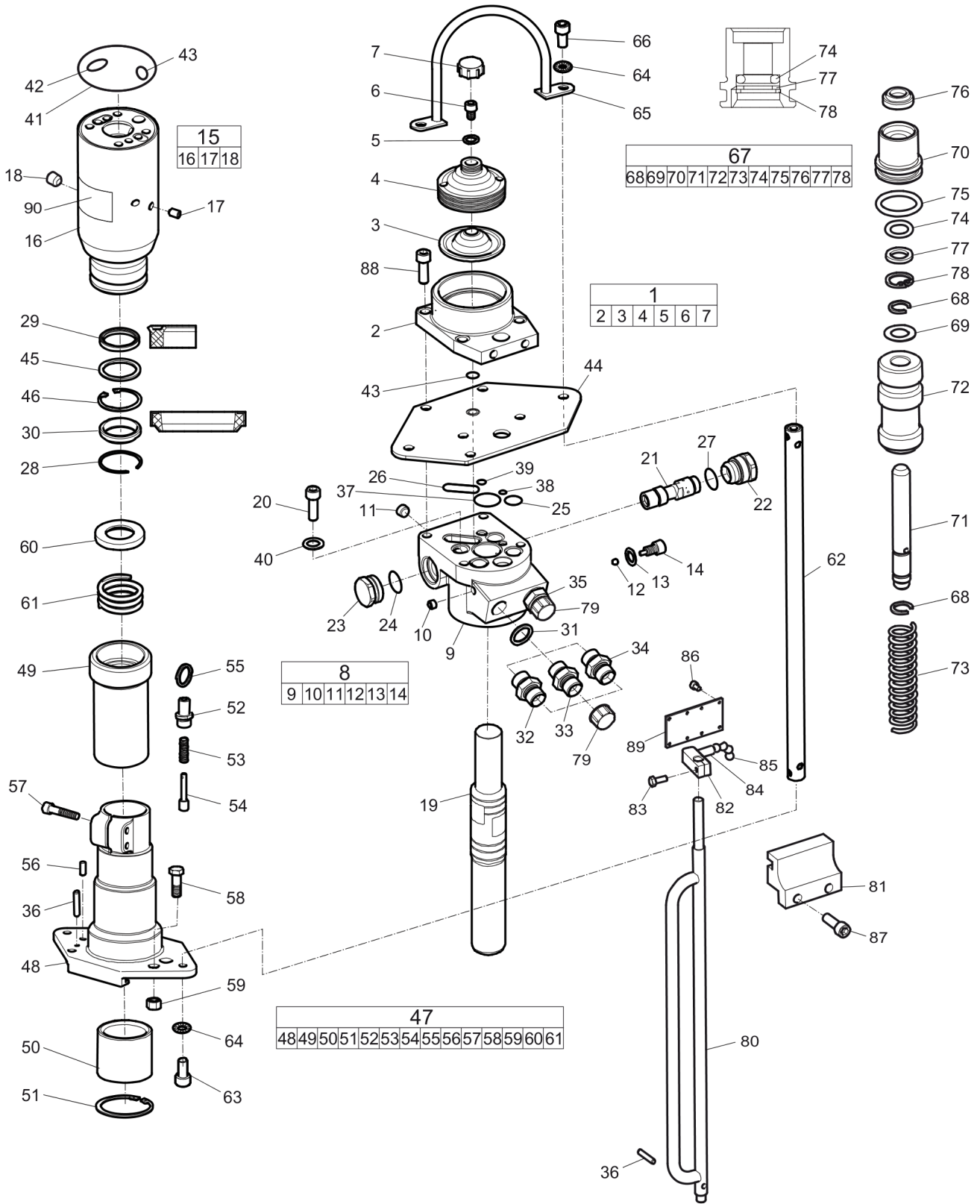
Accessories

Hoses and couplings 17
Adapters 19

Kits

Seal kit 21
Label kit 23
Accumulator kit 25

Spare parts list LPD-T



Refer to Parts Online for the most up to date information. The printed information might be outdated.

Tue Jun 30 05:50:46 MDT 2015

Item	Part No.	Name	Qty	L
1	3371821024	Accumulator kit	1	
2	3371821027	Accumulator body	1	
3	3371814052	Diaphragm	1	
4	3371814066	Part Description Not Available	1	
5	3371814709	Seal ring, Ø 0.34 X 0.51 x 0.04 in. (Ø 8.7 X 13 x 1 mm)	1	
6	3371813103	Charging screw	1	
7	3376117071	Protective nut, M24 x 1.5 mm	1	
8	3371821064	Valve housing, complete	1	
9	--	Valve housing	1	
10	3371814733	Fitting	4	
11	3371813141	Threaded plug	2	
12	3371820717	Ball	1	
13	3371820718	Seal ring, Ø 0.35 x 0.55 x 0.04 in. (Ø 9 x 14 x 1 mm)	1	
14	3371820115	Check valve screw	1	
15	3371821063	Cylinder, complete	1	
16	--	Cylinder	1	
17	3371814733	Fitting	2	
18	3371813141	Threaded plug	1	
19	3371821132	Piston	1	
20	3371814723	Allen screw	4	
21	3371821133	Spool	1	
22	3371821134	Guide socket	1	
23	3371820267	Spool socket	1	
24	3371820702	O-ring, Ø 0.94 x 0.06 in. (Ø 24 x 1.5 mm)	1	
25	3371820703	O-ring, Ø 0.71 x 0.08 in. (Ø 18 x 2 mm)	4	
26	3371820705	O-ring, Ø 1.26 x 0.08 in. (Ø 32 x 2 mm)	1	
27	3371820762	O-ring, Ø 0.99 x 0.07 in. (Ø 25.1 x 1.8 mm)	1	
28	3371820740	Lock ring	1	
29	3371820176	Seal, Ø 1.26 x 1.57 x 0.24 in. (Ø 32 x 40 x 6 mm)	1	
30	3371820708	Wiper, Ø 1.26 x 1.77 x 0.28 x 0.39 in. (Ø 32 x 45 x 7 x 10 mm)	1	
31	3371805714	Seal	2	
32	3371805711	Nipple, 1/2 in. BSP	1	
33	3371818013	Nipple, optional, (T) For 30 lpm 1/2 in. BSP	1	
34	3371818020	Nipple, optional, (T) For 20 lpm 1/2 in. BSP	1	
35	3371805711	Nipple, 1/2 in. BSP	1	
36	3371820731	Roll pin, 6 x 30 mm, 0.24 x 1.18 in.	2	
37	3371820704	O-ring, Ø 1.18 x 0.08 in. (Ø 30 x 2 mm)	1	

Refer to Parts Online for the most up to date information. The printed information might be outdated.

Tue Jun 30 05:50:46 MDT 2015

This page intentionally left blank

Item	Part No.	Name	Qty	L
38	3371817757	O-ring, $\varnothing 6 \times 2\text{mm}$ ($\varnothing 0.24 \times 0.08 \text{ in.}$)	1	
39	3376100084	O-ring, $8 \times 2 \text{ mm}$ ($0.31 \times 0.08 \text{ in.}$)	1	
40	3371815735	Back-up washer	4	
41	3371820725	O-ring, $\varnothing 3.23 \times 0.06 \text{ in.}$ ($\varnothing 82 \times 1.5 \text{ mm}$)	1	
42	3371820726	O-ring, $\varnothing 16 \times 1.5 \text{ mm}$ ($\varnothing 0.63 \times 0.06 \text{ in.}$)	1	
43	3371814749	O-ring, $\varnothing 0.51 \times 0.06 \text{ in.}$ ($\varnothing 13 \times 1.5 \text{ mm}$)	2	
44	3371820281	Top plate	1	
45	3371820167	Back-up washer, $\varnothing 1.29 \times 1.77 \times 0.10 \text{ in.}$ ($\varnothing 32.7 \times 45 \times 2.5 \text{ mm}$)	1	
46	3371820727	Lock ring	1	
47	3371821034	Nose part, complete	1	
48	3371820282	Nose part	1	
49	3371820283	Anvil	1	
50	3371820284	Bushing	1	
51	3371820759	Locking ring, 80 mm, 3.15 in.	1	
52	3371820285	Pin housing	1	
53	3371820286	Spring	1	
54	3371820287	Lock pin	1	
55	3371820756	Split ring	1	
56	3371820757	Roll pin, $8 \times 20 \text{ mm}$, $0.31 \times 0.79 \text{ in.}$	1	
57	3371814724	Screw, M10 x 55 mm	2	
58	3371816700	Hexagon head bolt	1	
59	3371816702	Nut	1	
60	3371821136	Washer	1	A
61	3371821135	Spring	1	B
62	3371820288	Handle	2	
63	3371814728	Screw, M10 x 20 mm	2	
64	3377100010	Washer M10 DIN125B	4	
65	3371820294	Lifting bracket	1	
66	3371817721	Screw - 60	2	
67	3371820053	Trigger valve kit	1	
68	3371814732	Circlip	2	
69	3371820700	Shim, PS $0.31 \times 0.55 \times 0.02 \text{ in.}$ (PS $8 \times 14 \times 0.5 \text{ mm}$)	1	
70	3371820108	Trigger spool	1	
71	3371820136	Trigger rod	1	
72	3371814120	Packing gland	1	
73	3371820137	Spring	1	
74	3371814700	O-ring, $\varnothing 0.33 \times 0.09 \text{ in.}$ ($\varnothing 8.3 \times 2.4 \text{ mm}$)	1	

Refer to Parts Online for the most up to date information. The printed information might be outdated.

Tue Jun 30 05:50:46 MDT 2015

This page intentionally left blank

Item	Part No.	Name	Qty	L
75	3371814702	O-ring, Ø 0.64 x 0.09 in. (Ø 16.3 x 2.4 mm)	1	
76	3371805503	Seal, Ø 0.31 x 0.55 x 0.14 x 0.20 in. (Ø 8 x 14 x 3.5 x 5 mm)	1	
77	3371814701	Back-up ring	1	
78	3371814712	Circlip	1	
79	3371813709	Protective cap, 1/2 in. BSP	2	
80	3371820289	Trigger lever	1	
81	3371820290	Trigger housing	1	
82	3371820292	Trigger	1	
83	3371817726	Screw, M8 x 15 mm	1	
84	3371820760	Cylinder pin, 9.53 x 25.4 mm, 3/8 x 1 in.	1	
85	3371820758	Ball, 9.53 mm, 3/8 in.	4	
86	3377000418	Screw, M5 x 8 mm	4	
87	3371817720	Screw, M10 x 30 mm	2	
88	3371814723	Allen screw	4	
89	3371820291	Trigger plate	1	
90	-	Data plate	1	

Comments for Page: LPD-T

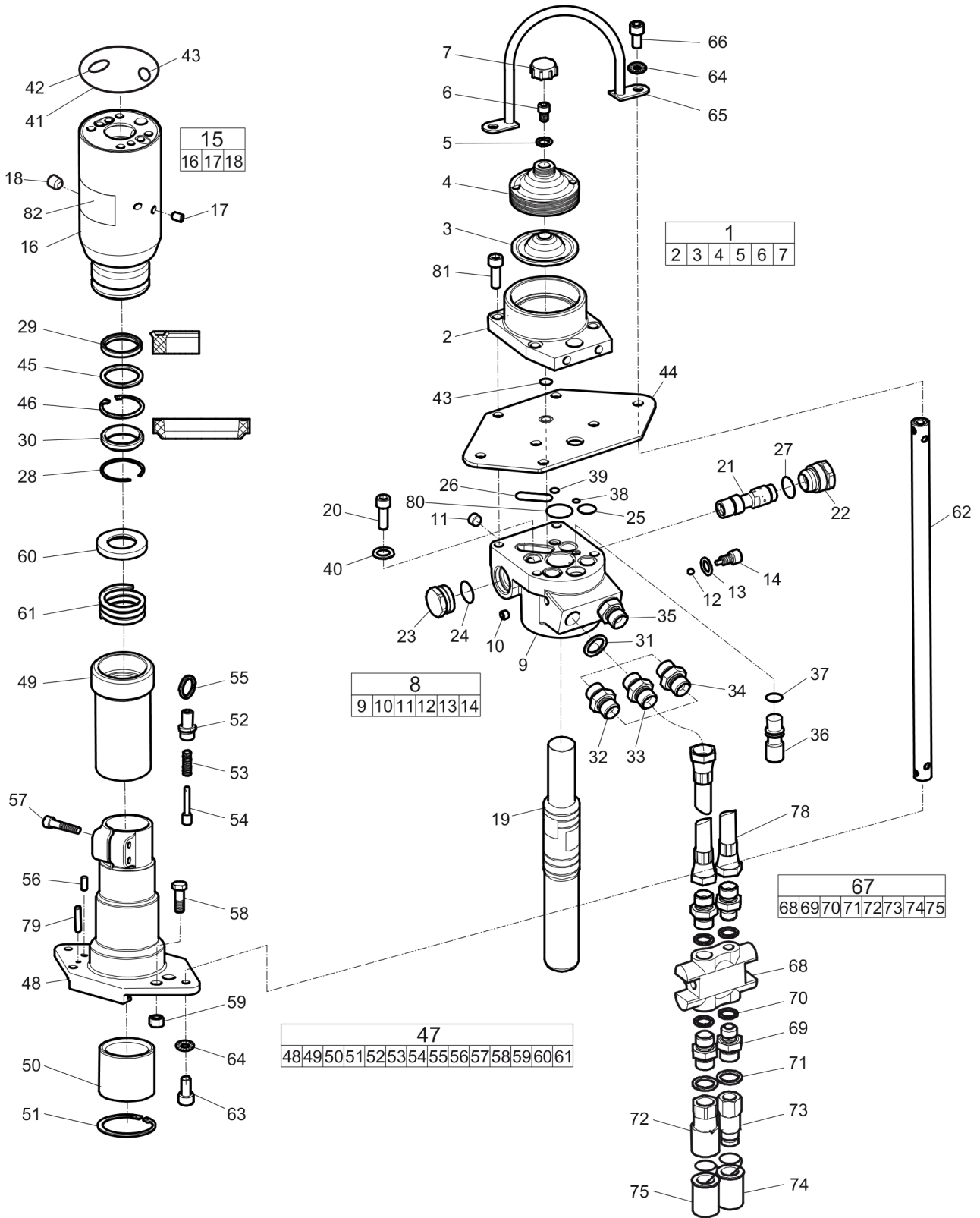
LOCTITE is a registered trademark of Henkel Corporation. 245 are trademarks of Henkel Corporation.

(L)OCAL REMARKS

A | From serial no. 253108 -

B | From serial no. 253108 -

Spare parts list LPD-RV



Refer to Parts Online for the most up to date information. The printed information might be outdated.

Tue Jun 30 05:50:49 MDT 2015

Item	Part No.	Name	Qty	L
1	3371821024	Accumulator kit	1	
2	3371821027	Accumulator body	1	
3	3371814052	Diaphragm	1	
4	3371814066	Part Description Not Available	1	
5	3371814709	Seal ring, Ø 0.34 X 0.51 x 0.04 in. (Ø 8.7 X 13 x 1 mm)	1	
6	3371813103	Charging screw	1	
7	3376117071	Protective nut, M24 x 1.5 mm	1	
8	3371821064	Valve housing, complete	1	
9	--	Valve housing	1	
10	3371814733	Fitting	4	
11	3371813141	Threaded plug	2	
12	3371820717	Ball	1	
13	3371820718	Seal ring, Ø 0.35 x 0.55 x 0.04 in. (Ø 9 x 14 x 1 mm)	1	
14	3371820115	Check valve screw	1	
15	3371821063	Cylinder, complete	1	
16	--	Cylinder	1	
17	3371814733	Fitting	2	
18	3371813141	Threaded plug	1	
19	3371821132	Piston	1	
20	3371814723	Allen screw	4	
21	3371821133	Spool	1	
22	3371821134	Guide socket	1	
23	3371820267	Spool socket	1	
24	3371820702	O-ring, Ø 0.94 x 0.06 in. (Ø 24 x 1.5 mm)	1	
25	3371820703	O-ring, Ø 0.71 x 0.08 in. (Ø 18 x 2 mm)	4	
26	3371820705	O-ring, Ø 1.26 x 0.08 in. (Ø 32 x 2 mm)	1	
27	3371820762	O-ring, Ø 0.99 x 0.07 in. (Ø 25.1 x 1.8 mm)	1	
28	3371820740	Lock ring	1	
29	3371820176	Seal, Ø 1.26 x 1.57 x 0.24 in. (Ø 32 x 40 x 6 mm)	1	
30	3371820708	Wiper, Ø 1.26 x 1.77 x 0.28 x 0.39 in. (Ø 32 x 45 x 7 x 10 mm)	1	
31	3371805714	Seal	2	
32	3371805711	Nipple, 1/2 in. BSP	1	
33	3371818013	Nipple, optional, (T) For 30 lpm 1/2 in. BSP	1	
34	3371818020	Nipple, optional, (T) For 20 lpm 1/2 in. BSP	1	
35	3371805711	Nipple, 1/2 in. BSP	1	
36	3371820240	Trigger valve	1	A
37	3371814702	O-ring, Ø 0.64 x 0.09 in. (Ø 16.3 x 2.4 mm)	1	

Refer to Parts Online for the most up to date information. The printed information might be outdated.

Tue Jun 30 05:50:49 MDT 2015

This page intentionally left blank

Item	Part No.	Name	Qty	L
38	3371817757	O-ring, $\varnothing 6 \times 2\text{mm}$ ($\varnothing 0.24 \times 0.08$ in.)	1	
39	3376100084	O-ring, 8 x 2 mm (0.31 x 0.08 in.)	1	
40	3371815735	Back-up washer	4	
41	3371820725	O-ring, $\varnothing 3.23 \times 0.06$ in. ($\varnothing 82 \times 1.5$ mm)	1	
42	3371820726	O-ring, $\varnothing 16 \times 1.5$ mm($\varnothing 0.63 \times 0.06$ in.)	1	
43	3371814749	O-ring, $\varnothing 0.51 \times 0.06$ in. ($\varnothing 13 \times 1.5$ mm)	2	
44	3371820281	Top plate	1	
45	3371820167	Back-up washer, $\varnothing 1.29 \times 1.77 \times 0.10$ in. ($\varnothing 32.7 \times 45 \times 2.5$ mm)	1	
46	3371820727	Lock ring	1	
47	3371821034	Nose part, complete	1	
48	--	Nose part	1	
49	3371820283	Anvil	1	
50	3371820284	Bushing	1	
51	3371820759	Locking ring, 80 mm, 3.15 in.	1	
52	3371820285	Pin housing	1	
53	3371820286	Spring	1	
54	3371820287	Lock pin	1	
55	3371820756	Split ring	1	
56	3371820757	Roll pin, 8 x 20 mm, 0.31 x 0.79 in.	1	
57	3371814724	Screw, M10 x 55 mm	2	
58	3371816700	Hexagon head bolt	1	
59	3371816702	Nut	1	
60	3371821136	Washer	1	B
61	3371821135	Spring	1	C
62	3371820288	Handle	2	
63	3371814728	Screw, M10 x 20 mm	2	
64	3377100010	Washer M10 DIN125B	4	
65	3371820294	Lifting bracket	1	
66	3371817721	Screw - 60	2	
67	3371821043	Remote valve	1	
68	--	On/off valve	1	
69	3377000432	Nipple, 1/2 in. BSP Male - 3/8 in. BSP Male	4	
70	3377016375	Seal	4	
71	3371805714	Seal	2	
72	3371805133	Quick-release coupling, Female 1/2 in. BSP	1	D
73	3371805134	Quick-release coupling, Male 1/2 in. BSP	1	E
74	3371805732	Protective cap	1	F

Refer to Parts Online for the most up to date information. The printed information might be outdated.

Tue Jun 30 05:50:49 MDT 2015

This page intentionally left blank

Item	Part No.	Name	Qty	L
75	3371805733	Protective cap	1	G
78	3371803068	Tail hose, 1.8 mm , 0.07 in.	2	
79	3371820731	Roll pin, 6 x 30 mm, 0.24 x 1.18 in.	2	
80	3371820704	O-ring, Ø 1.18 x 0.08 in. (Ø 30 x 2 mm)	1	
81	3371814723	Allen screw	4	
82	-	Data plate	1	

Comments for Page: LPD-RV

LOCTITE is a registered trademark of Henkel Corporation. 245 are trademarks of Henkel Corporation.

(L)OCAL REMARKS

A | Constant activated

B | From serial no. 253108 -

C | From serial no. 253108 -

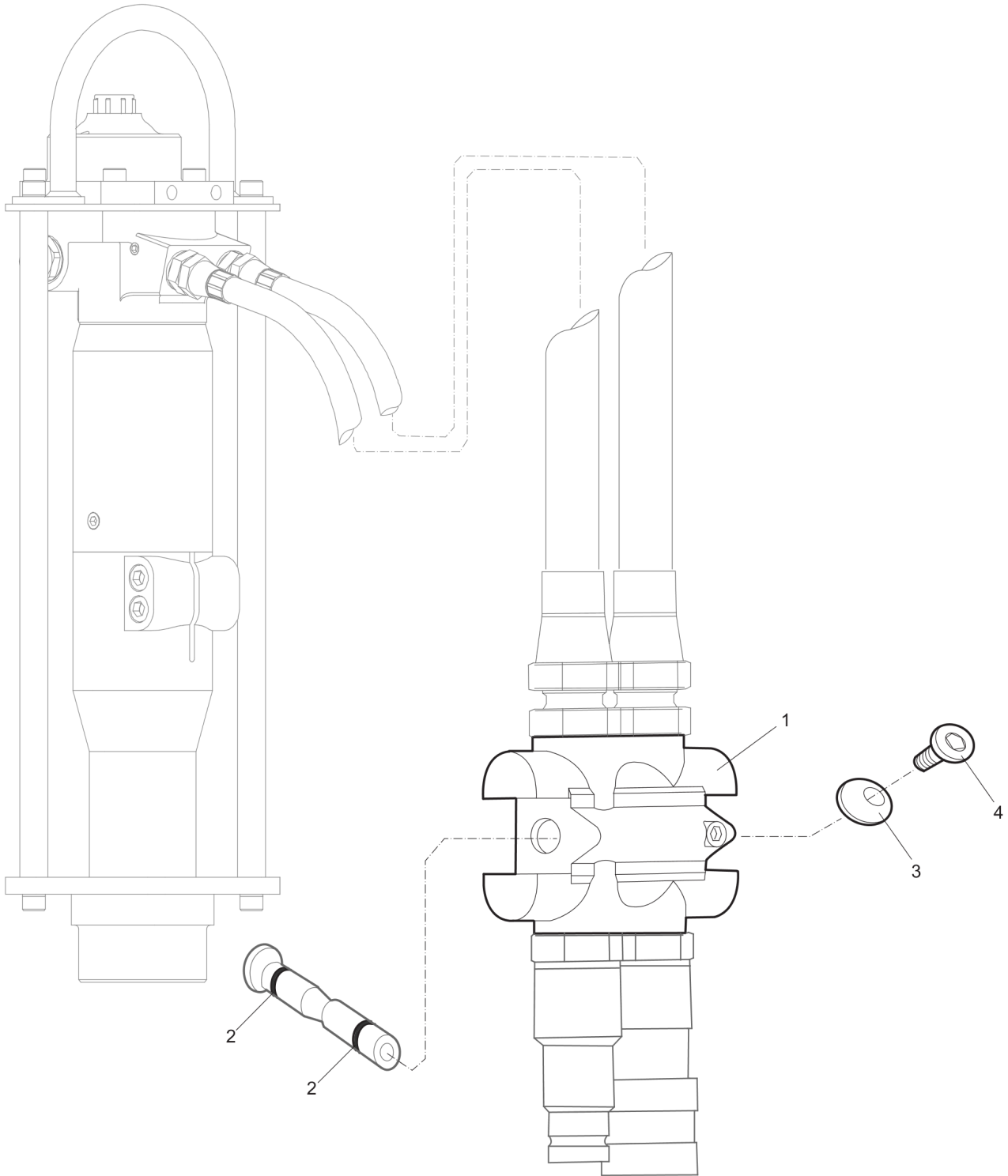
D | Female

E | Male

F | Male, for QRC

G | Female, for QRC

Spare parts list Remote valve



Refer to Parts Online for the most up to date information. The printed information might be outdated.

Tue Jun 30 05:50:50 MDT 2015

Item	Part No.	Name	Qty	L
1	3371821043	Remote valve	1	
2	3371821706	O-ring	2	
3	3371821144	Button	2	
4	3371817764	Screw	2	

Tightening torque Tightening torque

NO EXPLODED VIEW
AVAILABLE
FOR THIS BOM

Item	Part No.	Name	Qty	L
1	-	LPD-T	1	
20	3371814723	Allen screw	-	A
88	3371814723	Allen screw	-	B
22	3371821134	Guide socket	-	C
23	3371820267	Spool socket	-	D
32	3371805711	Nipple, 1/2 in. BSP	-	E
33	3371818013	Nipple, optional, (T) For 30 lpm 1/2 in. BSP	-	F
34	3371818020	Nipple, optional, (T) For 20 lpm 1/2 in. BSP	-	G
35	3371805711	Nipple, 1/2 in. BSP	-	H
57	3371814724	Screw, M10 x 55 mm	-	I
66	3371817721	Screw - 60	-	J
12	-	LPD-RV	1	
81	3371814723	Allen screw	-	B
68	3371820302	Nipple - 40	-	
70	3371820303	Nipple - 40	-	

Accessories Hoses and couplings

NO EXPLODED VIEW
AVAILABLE
FOR THIS BOM

Item	Part No.	Name	Qty	L
1	3371801083	Connection hose, complete	1	
-	3371803050	Hose, Ø 1/2 in. L = 16 in., Ø 12.5 mm L = 0.4 m	2	
-	3371805714	Seal	2	
-	3371805133	Quick-release coupling, Female 1/2 in. BSP	1	
-	3371805134	Quick-release coupling, Male 1/2 in. BSP	1	
-	3371805733	Protective cap	1	A
-	3371805732	Protective cap	1	B
-	3371801087	Twin hose, complete, Ø 1/2 in. L = 23 ft. , Ø 12.5 mm L = 7 m	1	
-	3371803052	Twin hose, Ø 1/2 in. L = 23 ft., Ø 12.5 mm L = 7 m	1	
-	3371801190	Connection hose, complete, Ø 1/2 in. L = 62 in., Ø 12.5 mm L = 1.6 m	1	
-	3371803064	Hose, Ø 1/2 in. L = 62 in., Ø 12.5 mm L = 1.6 m	2	
-	3371802115	Label P	1	G

Comments for Page: Hoses and couplings

(L)OCAL REMARKS

A | Female

B | Male

C | Female

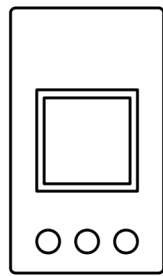
D | Male

E | Female

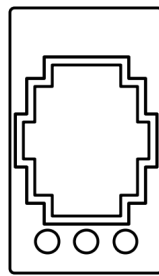
F | Male

G | Pressure side

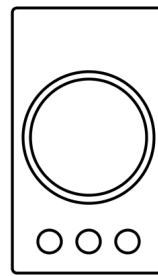
Accessories Adapters



1



2



3

Item	Part No.	Name	Qty	L
No.	Partnumber	Description - Adaptor size - Adaptor size	-	A
1	3371806032	Square - 54 mm2.13 in. - 54 mm2.13 in.	-	
2	3371806033	Universal (round/square) - 63 mm2.48 in. - 63 mm2.48 in.	-	B
3	3371806034	Round - Ø96 mmØ3.78 in. - Ø96 mmØ3.78 in.	-	

Comments for Page: Adapters

(L)OCAL REMARKS

B | Max. dimensions 102 x 70 mm

4 x 2 in.

Kits Seal kit

NO EXPLODED VIEW
AVAILABLE
FOR THIS BOM

Item	Part No.	Name	Qty	L
1	3371820090	Sealkit	1	
-	3371814709	Seal ring, Ø 0.34 X 0.51 x 0.04 in. (Ø 8.7 X 13 x 1 mm)	1	
-	3371820702	O-ring, Ø 0.94 x 0.06 in. (Ø 24 x 1.5 mm)	1	
-	3371820703	O-ring, Ø 0.71 x 0.08 in. (Ø 18 x 2 mm)	4	
-	3371820704	O-ring, Ø 1.18 x 0.08 in. (Ø 30 x 2 mm)	1	
-	3371820705	O-ring, Ø 1.26 x 0.08 in. (Ø 32 x 2 mm)	1	
-	3371820762	O-ring, Ø 0.99 x 0.07 in. (Ø 25.1 x 1.8 mm)	1	
-	3371820740	Lock ring	1	
-	3371820176	Seal, Ø 1.26 x 1.57 x 0.24 in. (Ø 32 x 40 x 6 mm)	1	
-	3371820708	Wiper, Ø 1.26 x 1.77 x 0.28 x 0.39 in. (Ø 32 x 45 x 7 x 10 mm)	1	
-	3371805714	Seal	2	
-	3371814732	Circlip	2	
-	3371820700	Shim, PS 0.31 x 0.55 x 0.02 in. (PS 8 x 14 x 0.5 mm)	1	
-	3371814700	O-ring, Ø 0.33 x 0.09 in. (Ø 8.3 x 2.4 mm)	1	
-	3371814702	O-ring, Ø 0.64 x 0.09 in. (Ø 16.3 x 2.4 mm)	1	
-	3371805503	Seal, Ø 0.31 x 0.55 x 0.14 x 0.20 in. (Ø 8 x 14 x 3.5 x 5 mm)	1	
-	3371814701	Back-up ring	1	
-	3371814712	Circlip	1	
-	3371817757	O-ring, ø6 x 2mm(ø0.24 x 0.08 in.)	1	
-	3376100084	O-ring, 8 x 2 mm (0.31 x 0.08 in.)	1	
-	3371820718	Seal ring, Ø 0.35 x 0.55 x 0.04 in. (Ø 9 x 14 x 1 mm)	1	
-	3371820725	O-ring, Ø 3.23 x 0.06 in. (Ø 82 x 1.5 mm)	1	
-	3371820726	O-ring, ø16 x 1.5 mm(ø0.63 x 0.06 in.)	1	
-	3371814749	O-ring, Ø 0.51 x 0.06 in. (Ø 13 x 1.5 mm)	2	
-	3371820167	Back-up washer, Ø 1.29 x 1.77 x 0.10 in. (Ø 32.7 x 45 x 2.5 mm)	1	
-	3371820727	Lock ring	1	

Kits Label kit

NO EXPLODED VIEW
AVAILABLE
FOR THIS BOM

Item	Part No.	Name	Qty	L
1	3371821256	Label kit	1	
-	3371896061	Safety label	1	
-	3371896062	Pressure charge	1	A
-	3371896097	Product label	1	B
-	3371897082	Product label	1	C
-	3371896003	Noise level label	1	
-	3371897083	Product label	1	D

Comments for Page: Label kit

(L)OCAL REMARKS

A | N2

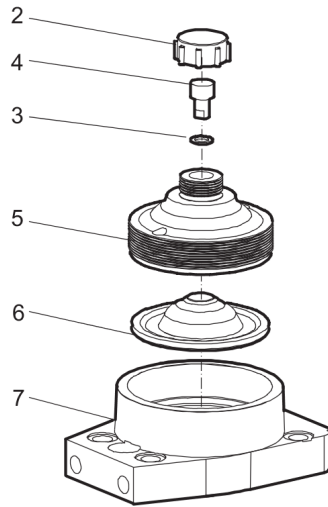
B | "Atlas Copco"

C | "LPD-T"

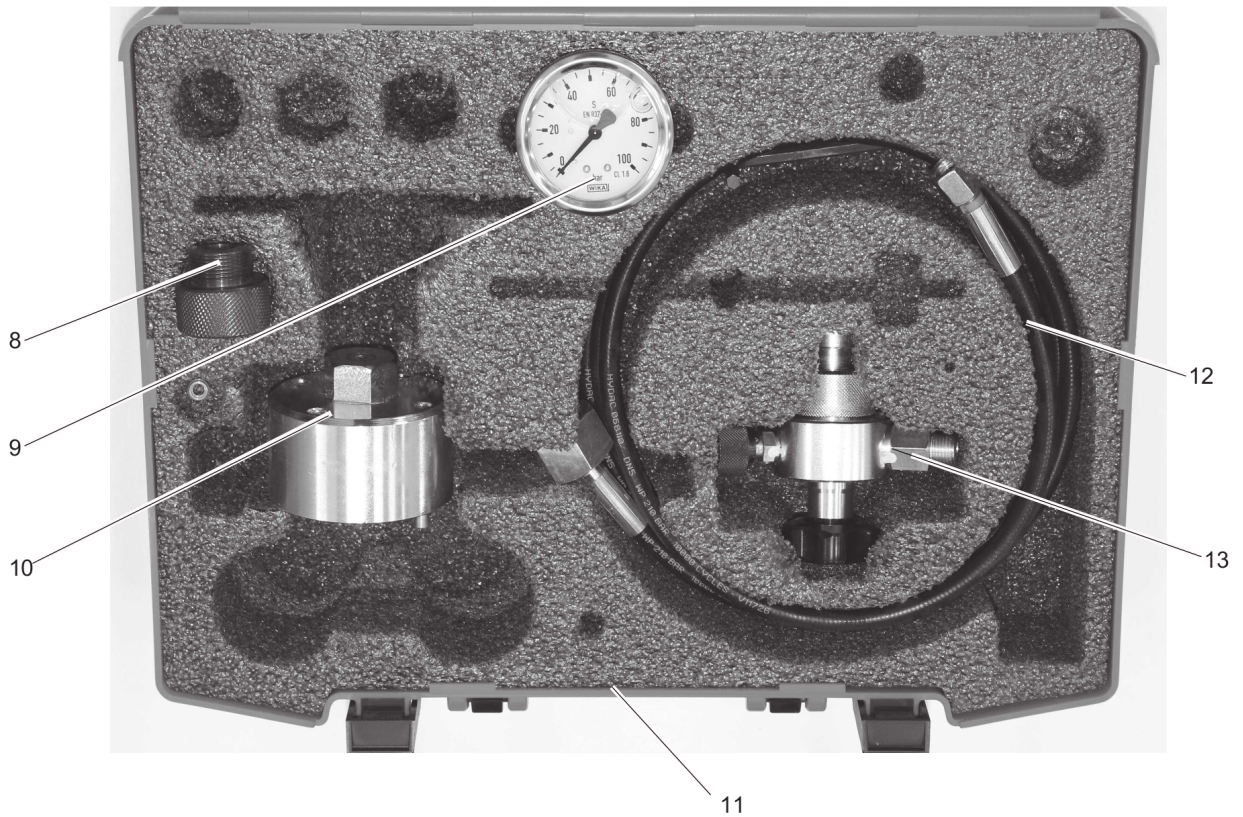
D | "LPD-RV"

Kits Accumulator kit

1						
2	3	4	5	6	7	



8						
9	10	11	12	13	14	



Item	Part No.	Name	Qty	L
1	3371814051	Accumulator kit	1	
2	3376117071	Protective nut, M24 x 1.5 mm	1	
3	3371814709	Seal ring, Ø 0.34 X 0.51 x 0.04 in. (Ø 8.7 X 13 x 1 mm)	1	
4	3371813103	Charging screw	1	
5	3371814102	Accumulator cover	1	
6	3371814052	Diaphragm	1	
7	3371814104	Accumulator body	1	
8	3371801155	Filling device kit	1	
9	3371807780	Adapter	1	
10	-	Manometer	1	
11	3371807760	Tool for accumulator	1	
12	-	Suitcase	1	
13	3371807779	Charging hose	1	
14	3371807778	Charging device	1	
Not Shown	-	Adapters	1	

Any unauthorized use or copying of the contents or any part thereof is prohibited.
This applies in particular to trademarks, model denominations, part numbers, and drawings.

