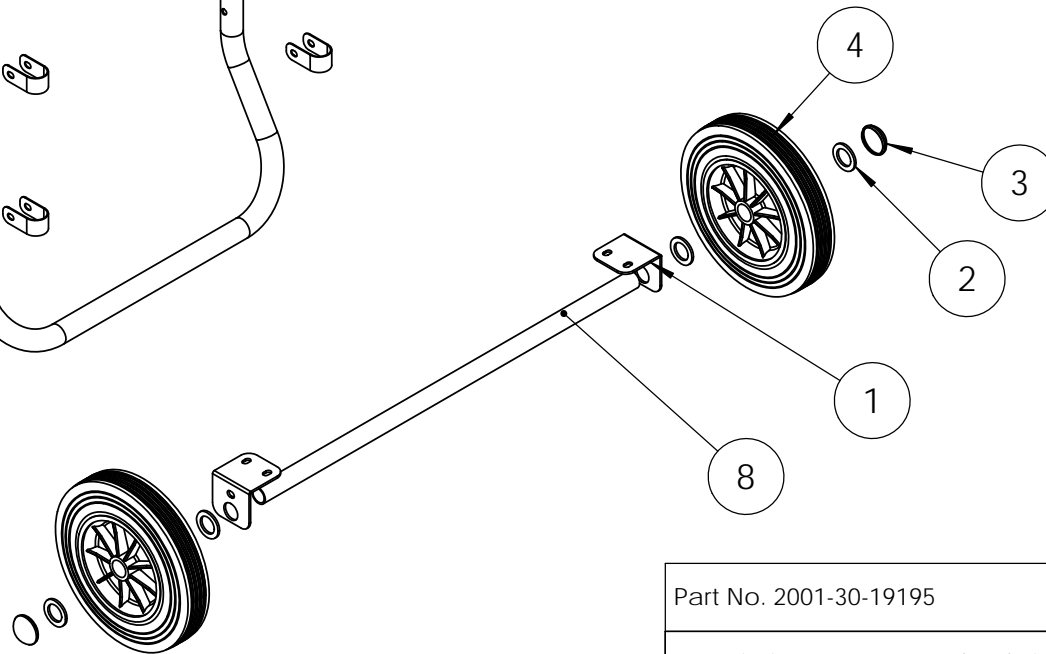


ITEM NO.	PART NUMBER	DESCRIPTION	QTY.
1	2030-30-19198	30 Axel Bracket	2
2	2020-30-19203	25 mm Washer	4
3	2140-TUBE-19200	1" Capped Star Washer	2
4	2120-MISC-16897	EPR250P 254-51RD 250mm Ø x 1 BORE WHEEL	2
5	2030-30-19196	30 Frame U Clamp	4
6	2009-30-19197	30 Wheel Kit Handle	1
7	2115-GRP-16893	BLACK PLASTIC RIBBED HANDLE ID 30mm	2
8	2010-30-19194	30 Frame Axle 1" x 700 mm	1



Part No. 2001-30-19195	Drawing No. 2001-30-01
Description : 30 Frame Wheel Kit	Revision No. A
Material : 8052.18	N/A
Weight : 8052.18g	Drawn By : MC
Finish : N/A	Date : 16/03/2017
Sheet1	Scale 1:20 A4